

HYMAX[®]



HYMAX[®] 2 LONG BODY (1.5"-12")



FEATURES

- ADVANCED WIDE-RANGE COUPLING WITH A PATENTED FLIP GASKET
- ELIMINATES GASKET REMOVAL MISTAKES AND MAXIMIZES INSTALLER WORK EFFICIENCY
- GAME-CHANGING WIDE-RANGE COUPLING, PROVEN IN OVER 1M INSTALLATIONS IN THE US
- SUITABLE FOR ALL PIPES - DUCTILE IRON, CAST IRON, STEEL, COPPER, PE, PVC, AC, GRP
- PATENTED HYDRAULICALLY-ASSISTED GASKET WITH 2-STAGE SEALING
- LONG BODY FOR EXTRA SIZE FLEXIBILITY
- LIGHTWEIGHT CONSTRUCTION ENABLES FAST AND EASY INSTALLATION
- ALLOWS 4° DYNAMIC DEFLECTION ON EACH END, REDUCING FUTURE PIPE DAMAGE
- ONE PRODUCT CAN CONECT PIPES OF TWO DIFFERENT MATERIALS
- LIFTING T-HANDLE EXISTS IN SIZES 3"-12" ONLY

SPECIFICATIONS

STANDARDS

HYMAX LONG BODY MEETS OR EXCEEDS REQUIREMENTS OF STANDARDS: AWWA C-219, NSF-61, NSF 372.

SIZE

AVAILABLE IN NOMINAL DIAMETER FROM 1.5"-12" STANDARD.

MATERIAL

END RINGS ASTM A283 / A283M GRADE C STEEL.

CENTER RING ASTM A53 GRADE A STEEL.

GASKET EPDM COMPOUNDED FOR WATER AND SEWAGE, MEETS INTERNATIONAL STANDARDS FOR CONTACT WITH DRINKING WATER.

BRIDGE AISI 304 STAINLESS STEEL.

SPHERICAL SPACERS AISI 304 STAINLESS STEEL.

COATING 100% FUSION BONDED EPOXY FOR ENHANCED CORROSION PROTECTION. AVERAGE THICKNESS 14 MIL.

NUTS & BOLTS AISI 304 STAINLESS STEEL. ROLLED THREAD AND ANTI-GALLING COATING.

HYMAX[®]

Repair the past. Connect the future.

 KRAUSZ is the creator of HYMAX

PRODUCT SPECIFICATIONS

HYMAX 2

PRODUCT PERFORMANCE (*)

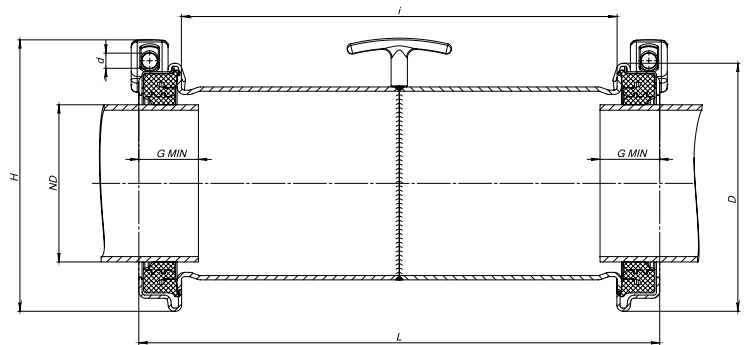
WORKING TEMPERATURE	-20°F UP TO +125°F		
DYNAMIC DEFLECTION	UP TO 4° PER SIDE		
MIN. PIPE INSERTION	2.25"		
MAXIMUM OFFSET FOR MISALIGNED PIPES	ND 1.5"-3"	ND 4"-12"	
	0.39"	0.51"	
MAXIMUM OUT OF ROUNDNESS	ND 1.5"	ND 2"-3"	ND 4"-12"
	0.08"	0.20"	0.31"
WORKING PRESSURE	260 PSI		
RATED PRESSURE	390 PSI		
VACUUM TEST	12 PSI		

* See Submittal Drawings For Details.

PRODUCT TABLES

HYMAX® 2 LONG BODY SIZES (1.5" - 12")

Krausz Part Number	Nominal Diameter (inch)	Overall Range (inch)	Range In Closed Gasket Position (inch)	Range In Open Gasket Position (inch)	Bolts Num. and Size (mm)	Torque (Ft-Lbs)	Approx. Weight (Lbs)	Length (inch)
862-54-0041-16	1.5	1.61-2.13	1.61-1.97	1.96-2.13	2 -M12	35	7	10
862-54-0054-16	2	2.10-3.03	2.10-2.60	2.56-3.03	2 -M12	50	8	10.6
862-54-0088-16	3	3.46-4.33	3.46-3.90	3.86-4.33	2 -M12	50	14	14.6
862-54-0108-16	4	4.25 - 5.63	4.25 - 5.00	4.92 - 5.63	2 -M14	75	21	14.5
862-54-0130-16	5	5.12-6.38	5.12-5.75	5.71-6.38	2 -M14	75	28	18.7
862-54-0163-16	6	6.42-7.68	6.42-7.05	7.01-7.68	2 -M14	75	32	18.7
862-54-0190-16	7	7.48-8.74	7.48-8.11	8.07-8.74	2 -M14	75	36	18.7
862-54-0217-16	8	8.54-9.84	8.54-9.17	9.13-9.84	2 -M14	75	42	18.7
862-54-0272-16	10	10.70-12.00	10.70-11.37	11.33-12.00	2 -M14	75	50	18.7
862-54-0278-16	10	10.96-12.26	10.96-11.63	11.59-12.26	2 -M14	75	53	18.7
862-54-0315-16	12	12.40-13.66	12.40-13.03	12.99-13.66	2 -M14	80	54	18.7
862-54-0334-16	12	13.15-14.41	13.15-13.78	13.74-14.41	2 -M14	80	56	18.7



This product is protected under a registered patent. See Krausz website for details. Copyright © 2017 Krausz Industries Ltd., All rights reserved