

HYMAX[®]

a **MUELLER** brand

HYMAX GRIP[®] FLANGE ADAPTOR (1.5" - 12")

Product Specifications

FEATURES

- Joins and restrains a wide range of piping types and diameters
- Unique radial gripping system prevents pipe motion
- Universal gripping teeth fit metal and plastic pipes
- Ready to use, stab-fit design
- Allows 4° dynamic deflection per end, reducing future damage
- Durable ductile iron body
- Patented hydraulically-assisted gasket with 2-stage sealing

SPECIFICATIONS STANDARDS

- HYMAX GRIP meets or exceeds standards AWWA C219, NSF 61, NSF 372.

SIZE

- Available in nominal diameter from 1.5" - 12".

MATERIALS

FLANGE BODY

- Ductile iron casting ASTM A536 Grade 65-45-12.
- 1.5" - 2.5" Oval flange .
- 3" Compatible with ANSI B16.5 .
- 4" - 12" Flange compatible with AWWA Class D, ANSI Class 125 .
- 150 bolt circles (product sizes 4" - 12" contain a lifting eye).

END RINGS

- 1.5" - 3": Made of cast steel ASTM A216 WCB.
- 4" - 12": Ductile iron casting ASTM A536 Grade 65-45-12.

* 316SS hardware is only available with Grip Open Bore Flange Adaptor



GASKETS

- EPDM and NBR available. Both are compounded per ASTM D2000 for water and sewage, meet international standards for contact with drinking water.

GRIP CHAIN

Gripping teeth:

- Size 1.5" - 3": Fe4Ni05Mo.
- Sizes 4" - 12": AISI 420.
- Sizes 4" - 12" High Pressure: Fe4Ni05Mo.

BRIDGE

- Available in AISI 304 or 316* Stainless Steel.

SPHERICAL SPACERS

- Available in AISI 304 or 316* Stainless Steel.

COATING

- 100% fusion bonded epoxy for enhanced corrosion protection.
- Average thickness 14 mm.

NUTS AND BOLTS

- Available in AISI 304 or 316* Stainless Steel. Rolled thread with anti-galling coating.



JOIN



REPAIR



RESTRAIN



TAP

MUELLER

PRODUCT PERFORMANCE

WORKING TEMPERATURE

- EPDM: -20° F up to +125° F
- NBR: -4° F up to +125° F

DYNAMIC DEFLECTION

- Up to 4° per side

MIN. PIPE INSERTION

- 3.6"

PRESSURES & ΔT

- ΔT - HDPE pipe expands and contracts with changes in temperature and exerts large pull-load forces on the coupling. ΔT for HDPE pipe is the change in temperature the coupling can withstand when installed on HDPE pipe.

Standard Pressure GRIP				High Pressure GRIP		
Steel, DI, CI, PVC & SS		HDPE		Steel, DI, CI, PVC & SS		
ND (inch)	Working Pressure (psi)	Working Pressure (psi)	ΔT for HDPE SDR 9 (°F)	ND (inch)	Working Pressure (psi)	ΔT for HDPE SDR 9 (°F)
1.5/2	232	232	85	4	250	100
2.5	232	232	85	6	250	100
3	232	232	85	8	250	100
4	232	232	85	10	250	100
6	232	232	85	12	250	70
8	232	193	50			
10	232	163	50			
12	232	155	35			

PRODUCT TABLES

TORQUE

ND (inch)	EPDM (ft-lb)	NBR (ft-lb)
1.5/2	50	50
2.5	50	50
3	50	50
4	90	105
6	110	110
8	200	200
10	200	200
12	200	200

MAXIMUM OFFSET FOR MISALIGNED PIPES

- 0.12"

MAXIMUM OUT OF ROUNDNESS

- 1.5" - 3": 0.12"
- 4" - 12": 0.16"

VACUUM TEST

- 12 psi

PRODUCT CONFIGURATIONS

The product is offered in several different configurations. Note that the "xx" marking in the Cat. no. should be replaced as directed:

Part Number 130-XX

56 - Standard Pressure Grip with EPDM gasket, Fasteners AISI 304

57 - Standard Pressure Grip with NBR gasket, Fasteners AISI 304

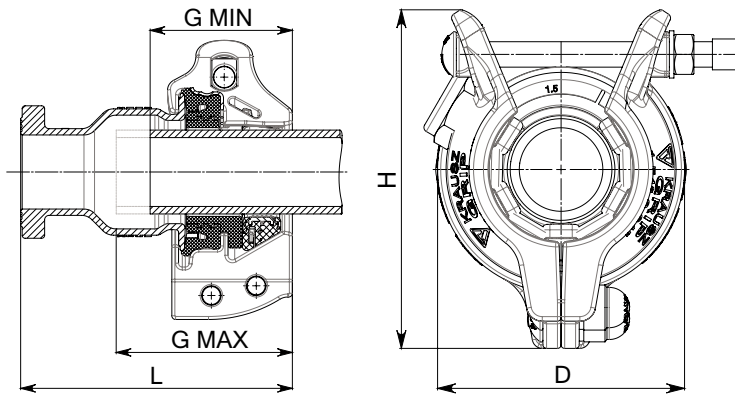
58 - High Pressure Grip with EPDM gasket, Fasteners AISI 304

59 - High Pressure Grip with NBR gasket, Fasteners AISI 304

96 - Standard Pressure Grip with EPDM gasket, Fasteners AISI 316

For example -

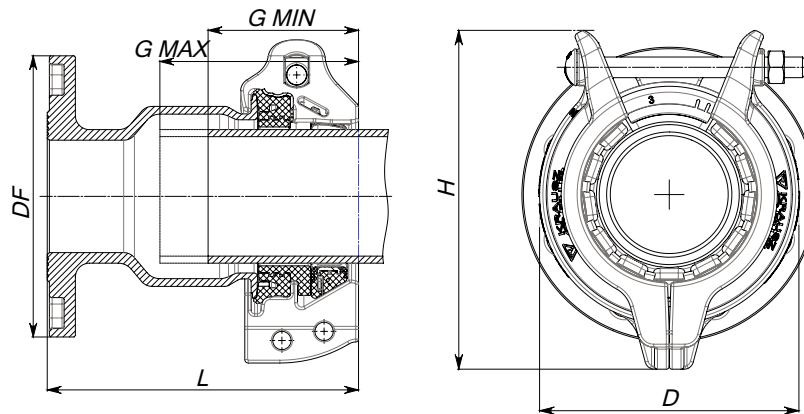
130-XX-04111-16 should be read as 130-56-04111-16 for Standard Pressure Grip with EPDM gasket and 130-57-04111-16 for Standard Pressure Grip with NBR gasket.



HYMAX GRIP® OVAL FLANGE ADAPTOR NOMINAL SIZE 1.5" - 2.5" (*)

HYMAX Part Number	Nominal Diameter (inch)	Flange Oval (inch)	Overall Range (inch)	Before Removal of the Inner Layer (inch)	After Removal of the Inner Layer (inch)	L (inch)	D (inch)	H (inch)	G - Max Stab Depth (inch)	Bolts Qty. - Size	Approx. Weight (lbs)
130-XX-015039-15-16	1.5/2	1.5	1.54 - 2.64	1.54 - 2.20	2.17 - 2.64	7.1	5.35	7.48	4.5	1 - M14	9.72
130-XX-015039-20-16	1.5/2	2	1.54 - 2.64	1.54 - 2.20	2.17 - 2.64	7.1	5.35	7.48	4.7	1 - M14	9.96
130-XX-025059-20-16	2.5	2	2.32 - 3.43	2.32 - 2.99	2.95 - 3.43	7.1	6.18	8.07	4.5	1 - M14	11.33

* NOTE: configs 58 & 59 are not relevant for 1.5" - 3" sizes

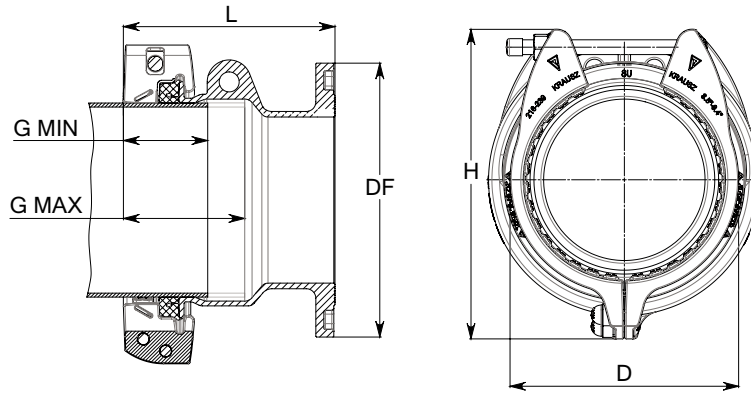


HYMAX GRIP® ROUND FLANGE ADAPTOR NOMINAL SIZE 3" (*)

HYMAX Part Number	Nominal Diameter (inch)	Overall Range (inch)	Before Removal of the Inner Layer (inch)	After Removal of the Inner Layer (inch)	DF (inch)	L (inch)	D (inch)	H (inch)	G - Max Stab Depth (inch)	Bolts Qty. - Size	Approx. Weight (lbs)
130-XX-015039-16	1.5/2	1.54 - 2.64	1.54 - 2.20	2.17 - 2.64	6.14	7.0	5.35	7.48	4.5	1 - M14	11.5
130-XX-030080-16	3	3.15 - 4.17	3.15 - 3.74	3.70 - 4.17	7.87	8.74	6.93	9.06	5.5	1 - M14	21.25

* NOTE: configs 58 & 59 are not relevant for 1.5" - 3" sizes

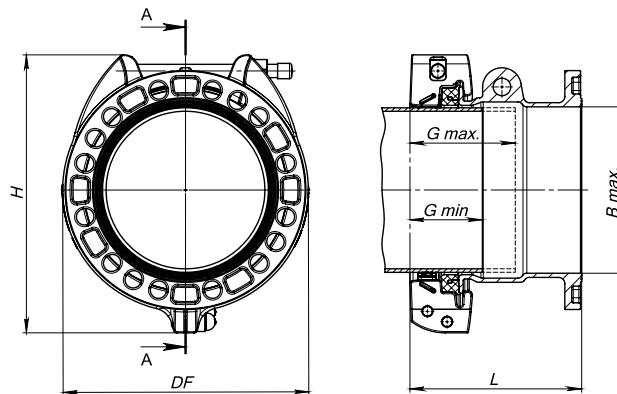
**NOTE: Sizes 3" to 12" only. For 316SS use part number prefix of "134-96"



HYMAX GRIP® NOMINAL SIZE 4" - 12"

HYMAX Part Number	Nominal Diameter (inch)	Overall Range (inch)	DF (inch)	L (inch)	D (inch)	H (inch)	G - Max Stab Depth (inch)	Bolts Qty. - Size	Approx. Weight (lbs)
130-XX-04111-16	4	4.40 - 5.10	9	8.6	8.7	10.6	5.3	1 - 5/8	27.6
130-XX-06165-16	6	6.50 - 7.20	11.2	9.9	10.9	12.9	5.7	1 - 5/8	39.5
130-XX-08216-16	8	8.50 - 9.40	13.5	10.4	13.8	15.7	5.9	1 - 3/4	61.4
130-XX-10270-16	10	10.65 - 11.55	16	10.7	16.2	18.2	5.9	1 - 3/4	81.3
130-XX-12322-16	12	12.68 - 13.39	19	11.7	17.4	19.8	6.3	1 - 3/4	106.3

*NOTE: Above Flange Adapters 4" - 12" are only available in 304SS hardware



HYMAX GRIP® OPEN BORE FLANGE ADAPTOR NOMINAL SIZE 4" - 12"

HYMAX Part Number	Nominal Diameter (inch)	Overall Range (inch)	DF (inch)	L (inch)	D (inch)	H (inch)	B Max (inch)	G Max (inch)	Bolts Qty. - Size	Approx. Weight (lbs)
134-96-04111-16	4	4.40 - 5.10	9	8.3	8.7	10.6	5.06	5.0	1 - 5/8	24.7
134-96-06165-16	6	6.50 - 7.20	11.2	8.6	10.9	12.9	7.16	5.4	1 - 5/8	33.9
134-96-08216-16	8	8.50 - 9.40	13.5	9.6	13.8	15.7	9.36	5.7	1 - 3/4	54.2
134-96-10270-16	10	10.65 - 11.55	16	9.9	16.2	18.2	11.46	5.7	1 - 3/4	72
134-96-12322-16	12	12.68 - 13.39	19	10.5	17.4	19.8	13.26	6.2	1 - 3/4	92.1

*NOTE: Above Open Bore Flange Adaptors 4" - 12" are only available in 316SS hardware

To learn more, visit HymaxUSA.com.

Mueller refers to one or more of Mueller Water Products, Inc., a Delaware corporation ("MWP"), and its subsidiaries. MWP and each of its subsidiaries are legally separate and independent entities when providing products and services. MWP does not provide products or services to third parties. MWP and each of its subsidiaries are liable only for their own acts and omissions and not those of each other. MWP brands include Mueller®, Echologics®, Hydro Gate®, Hydro-Guard®, HYMAX®, Krausz®, Jones®, MiNet®, Milliken®, Pratt®, Pratt Industrial®, Singer®, and U.S. Pipe Valve & Hydrant. Please see muellerwp.com/brands to learn more.

© 2021 Mueller Co., LLC. All Rights Reserved. The trademarks, logos and service marks displayed in this document are the property of Mueller Co., LLC, its affiliates or other third parties. Products above marked with a section symbol (§) are subject to patents or patent applications. For details, visit www.mwppat.com. These products are intended for use in potable water applications. Please contact your Mueller Sales or Customer Service Representative concerning any other application(s).

