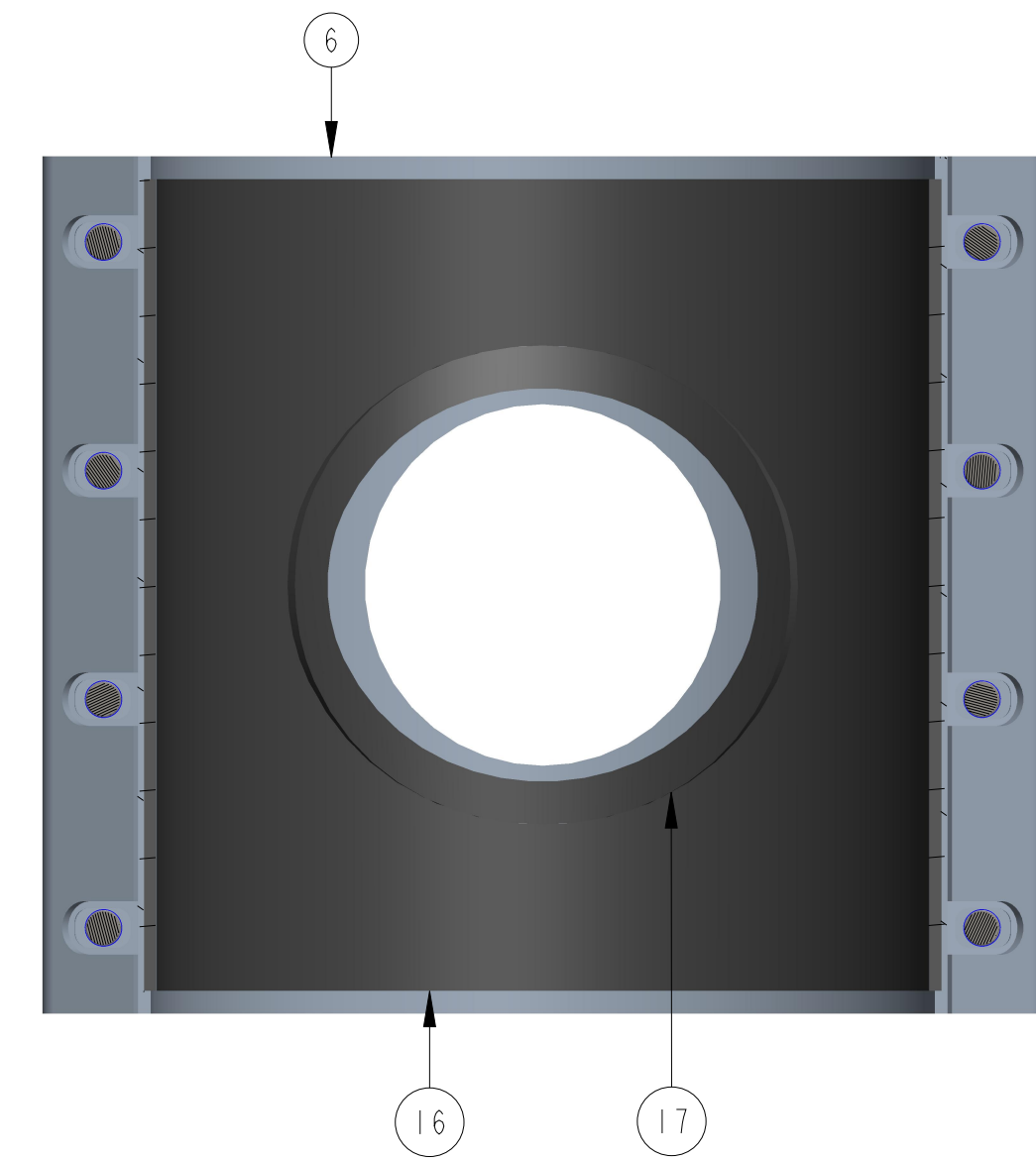
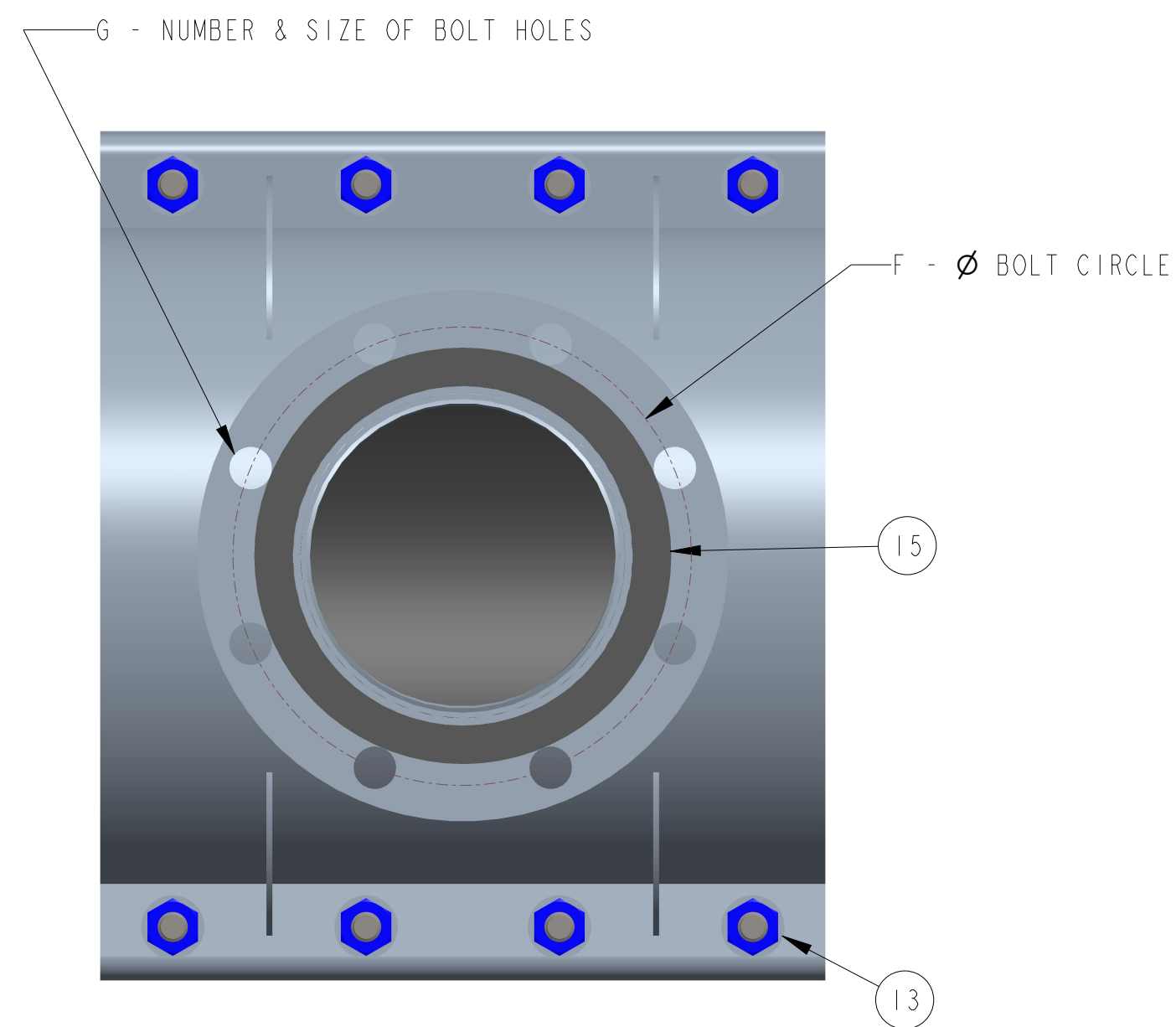


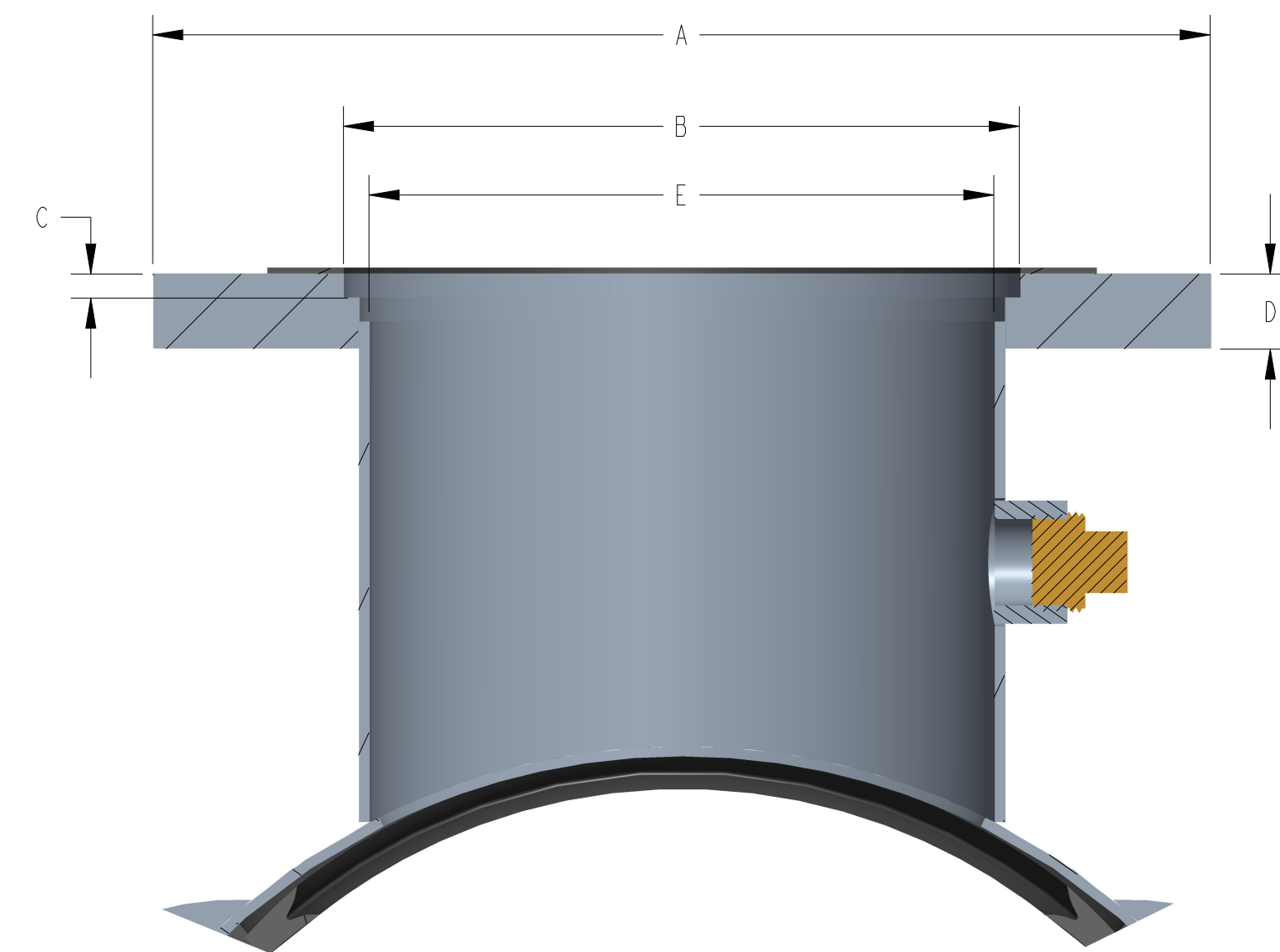
PARTS LIST					
ITEM	DESCRIPTION	QTY	MATERIAL	GRADE	STANDARD
1A	FLANGE - SS	1	STAINLESS STEEL	304L	A276
1B	FLANGE - CS	1	CARBON STEEL	1018-1026	A519 OR A105
1C	FLANGE - DI	1	DUCTILE IRON	70-50-05	A536
2	OUTLET/NECK	1	STAINLESS STEEL	304L	A240
3	OUTLET BAND	1	STAINLESS STEEL	304L	A240
4	OUTLET NUT BAR	2	STAINLESS STEEL	304L	A240
5	OUTLET GUSSET	SEE CHART	STAINLESS STEEL	304L	A240
6	END RETAINERS	2	STAINLESS STEEL	304L	A240
7	TEST BUSHING - 3/4" NPT	1	STAINLESS STEEL	304L	A240
8	TEST PLUG - 3/4" NPT	1	BRASS	C26000	B129
9	CAP BAND	1	STAINLESS STEEL	304L	A240
10	CAP BOLT BAR	2	STAINLESS STEEL	304L	A240
11	CAP GUSSET	SEE CHART	STAINLESS STEEL	304L	A240
12	TRACK HEAD BOLT - 5/8" X 6	SEE CHART	STAINLESS STEEL	304L	A193 GRB8 CL1 OR F593 GR1 COND A
13	WASHER	SEE CHART	STAINLESS STEEL	304	A240
14	HEAVY HEX NUT - 5/8"	SEE CHART	STAINLESS STEEL	304L	A194 GR8F CL2B OR F594 GR1 COND A
15A	FLANGE GASKET	1	NITRILE RUBBER	60 DUROMETER	D2000
15B	FLANGE GASKET - EPDM	1	EPDM	80 DUROMETER	
16A	PIPE GASKET	1	NITRILE RUBBER	60 DUROMETER	D2000
16B	PIPE GASKET - EPDM	1	EPDM	80 DUROMETER	
17A	OUTLET GASKET	1	NITRILE RUBBER	60 DUROMETER	D2000
17B	OUTLET GASKET - EPDM	1	EPDM	80 DUROMETER	

NOTES:
 *GUSSETS ONLY ON SLEEVES 10" AND LARGER.
 -GAP ARMOR IS INTEGRAL WITH OUTLET BAND FOR 4X3 THROUGH 12X12. ABOVE THAT, GAP ARMOR IS MOLDED IN RUBBER.
 -ALL SLEEVES ARE FULLY PASSIVATED.
 -STANDARD RUBBER IS NITRILE. EPDM IS AN OPTION.

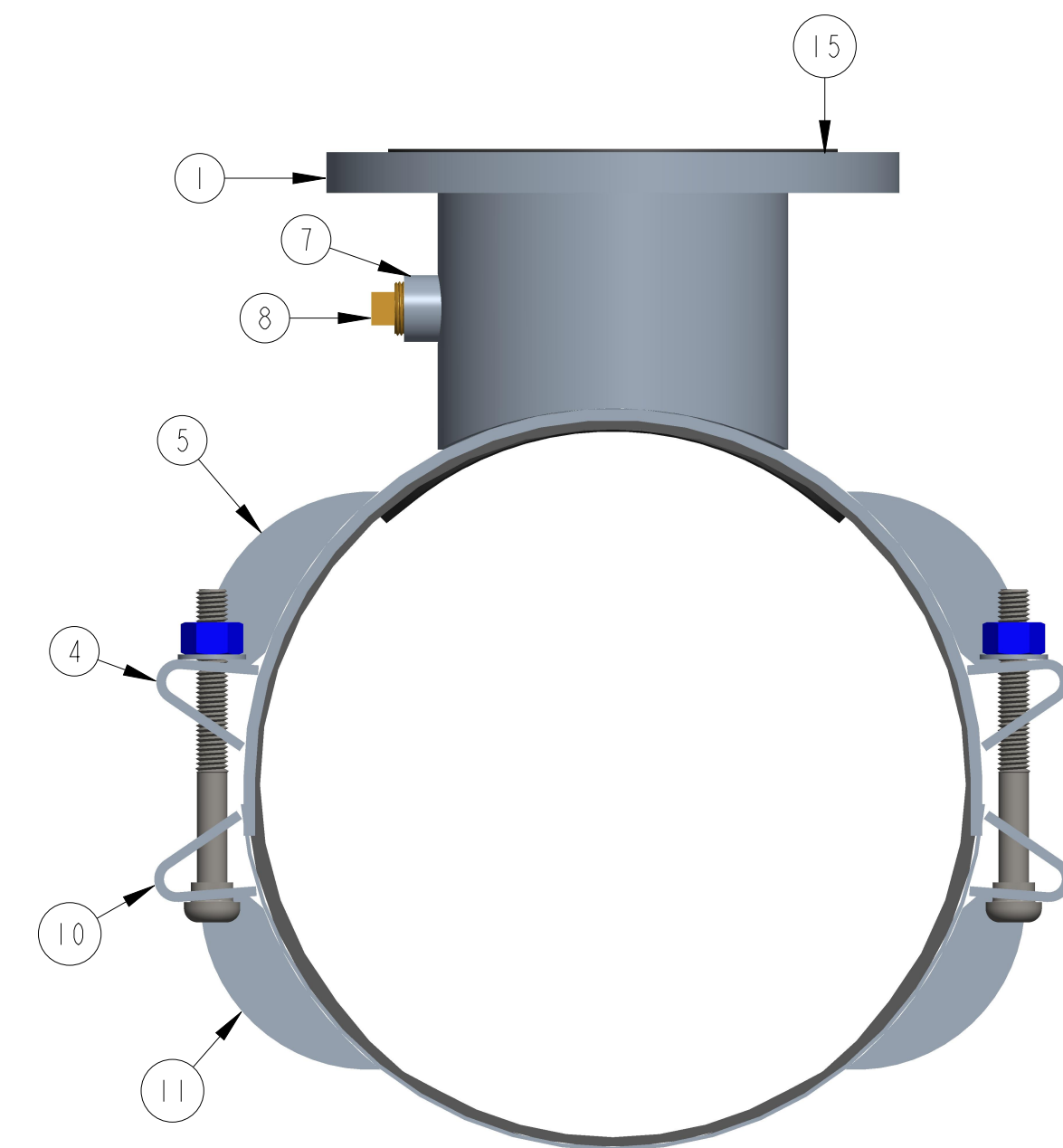
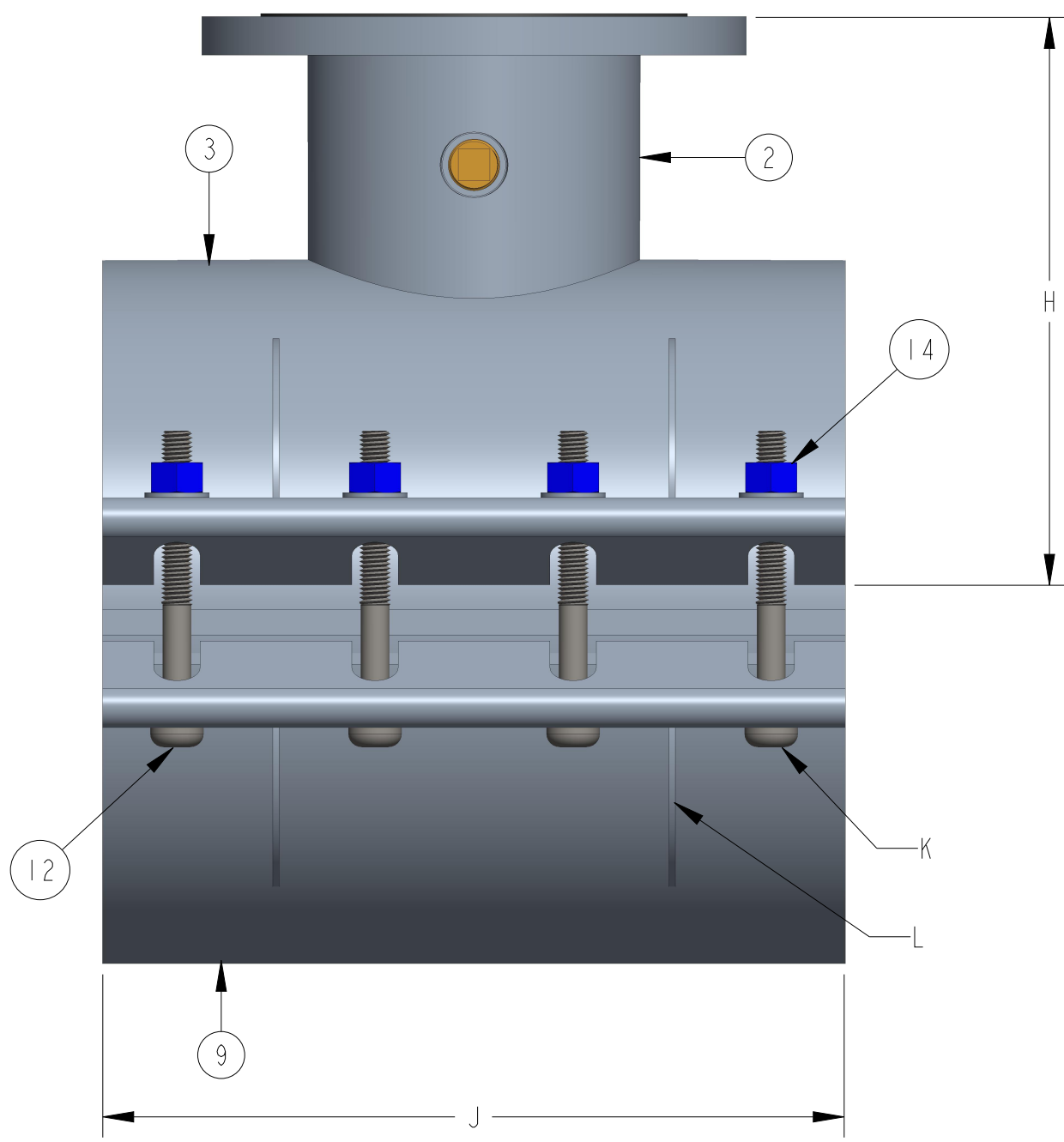
SIZE	OUTLET FLANGE DIMENSIONS								
	FLANGE OD	BORE OD	BORE DEPTH	FLANGE THICKNESS			NECK ID	BOLT CIRCLE DIA	# AND SIZE OF HOLES
	A	B	C	D1-SS	D2-CS	D3-DI	E	F	G
3	7.5	4.032	0.219	0.750	0.719	-	3.5	6.00	4 - 0.75
4	9.0	5.032	0.250	0.750	0.719	0.969	4.5	7.50	8 - 0.75
6	11.0	7.032	0.313	0.781	0.781	1.031	6.5	9.50	8 - 0.88
8	13.5	9.032	0.313	0.781	0.781	1.156	8.5	11.75	8 - 0.88
10	16.0	11.032	0.313	0.781	0.781	1.219	10.5	14.25	12 - 1.00
12	19.0	13.032	0.313	1.000	0.906	1.281	12.5	17.00	12 - 1.00



SLEEVE DIMENSIONS						
SIZE	CL TO FLANGE	LAY LENGTH	# OF BOLTS	# OF GUSSETS	SLEEVE DIMENSIONS	
					H	J
4	3, 4	7	15	8	-	-
6	3, 4	7.5	15	8	-	-
6	6	8	15	8	-	-
8	3, 4	8.5	15	8	-	-
8	6	9	15	8	-	-
8	3, 4	8.5	15	8	-	-
8	6	9	15	8	-	-
8	8	9.5	18	12	-	-
10	3, 4	10	15	8	8	8
10	6	10.5	15	8	8	8
10	8	11	18	12	8	8
10	3, 4	10	15	8	8	8
10	6	10.5	15	8	8	8
10	8	11	18	12	8	8
10	10	11.5	24	16	14	14
12	3, 4	12	15	8	8	8
12	6	12	15	8	8	8
12	8	12	18	12	8	8
12	10	12	24	16	20	20
12	12	12	30	16	18	18
14	3, 4	13.63	15	8	8	8
14	6	13.63	15	8	8	8
14	8	13.63	18	12	8	8
14	10	13.63	24	16	16	16
14	12	13.63	30	16	20	20
16	3, 4	14.69	15	8	8	8
16	6	14.69	15	8	8	8
16	8	14.69	18	12	8	8
16	10	14.69	24	16	16	16
16	12	14.69	30	16	16	16
18	3, 4	16	15	8	8	8
18	6	16	15	8	8	8
18	8	16	18	12	8	8
18	10	16	24	16	16	16
18	12	16	30	16	16	16
20	3, 4	16.88	15	8	8	8
20	6	16.88	15	8	8	8
20	8	16.88	18	12	12	12
20	10	16.88	24	16	16	16
20	12	16.88	30	16	16	16
24	3, 4	19	24	8	16	16
24	6	19	24	8	16	16
24	8	19	24	12	16	16
24	10	19	24	16	16	16
24	12	19	30	20	16	16



SCALE 0.600



(A) 20 WAS 16 ECN 1280 JWB 5/30/97	(B) ECN 1498 A519 WAS A216 GR. 1018-1026 WAS GR. WBC ADDED ASTM A276 JLC 2/9/98	(C) ECN 1699 ADDED ASTM NOS. JLC 10/21/98	(D) ECO 1033701 4.50, 6.50, 8.50, 10.50, & 12.50 WAS 4.38, 6.38, 8.38, 10.38, & 12.38 JLC 10/25/00	(E) ECO 1272622 ADDED END RETAINERS CAP 11/11/02	(F) ECO 3032569 CREATED 3D MODEL FOR DRAWING ADDED 3" NECKS TO SIZING CHART UPDATED FLANGE DIMENSIONS ADDED EPDM RUBBER OPTIONS ETB 09/17/2021
--	--	--	--	--	---

DR BY: AOD 9/17/21	UNLESS OTHERWISE NOTED	THIRD ANGLE PROJECTION	C.B. NO.
CHKR:	BREAK CAST CORNERS!		PART. NO.
ENGR:	BREAK MACH CORNERS!		
MGR:	TOLERANCES UNLESS OTHERWISE NOTED	PURCH. FINISH	SCALE
MFG:	LINEAR ANGULAR	REF. NO.	SCALE
TOOL:		STK. NO.	
FBY:			
MAT'L:			
		DESCR. FABRICATED STAINLESS STEEL TAPPING SLEEVES 4X4 THRU 24X12 SIZES H304	NUMBER 6628