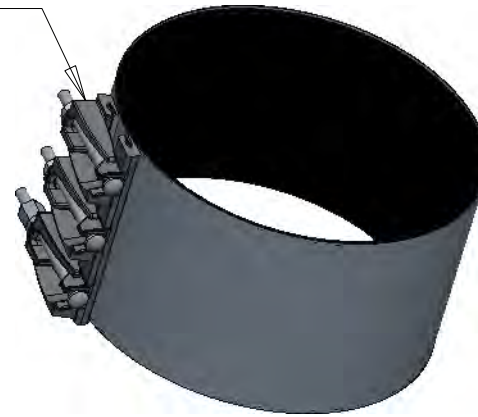


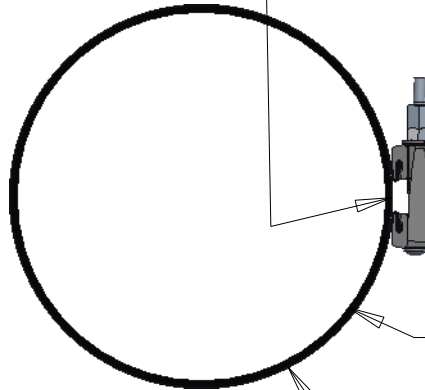
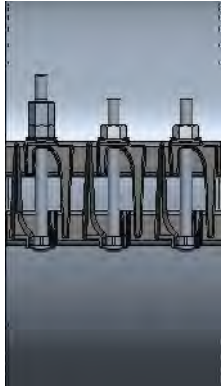
500 SERIES

DUCTILE IRON
MOUNTING LUGS



WIDTH
SEE NOTES

304L STAINLESS
STEEL GAP BRIDGE



TAPERED NBR GASKET

REPAIR CLAMP BAND
SEE NOTES

NOTES

1. NOMINAL PIPE SIZE RANGE, $\varnothing 2"$ - $\varnothing 12"$ FOR CAST IRON, DUCTILE IRON, STEEL, A-C AND PVC PIPE.
2. WIDTH VARIES FROM 6" TO 30".
3. NSF APPROVED.

DR. BY	ETB	04/05/19	UNLESS OTHERWISE NOTED		THIRD ANGLE PROJECTION		C. B. NO.
CHKR			BREAK CAST CORNER(S)---			REVISION	
ENGR			BREAK MACH CORNER(S)---				
MGR			TOLERANCES		PURCH.	FINISH	REVISION
MFG			UNLESS OTHERWISE NOTED		REF. NO.	SCALE	
TOOL			LINEAR	ANGULAR	STK. NO.		
FDRY			±	±			
MAT'L: 304L STAINLESS STEEL							
			DESCR.			NUMBER	
			ALL 500 SERIES REPAIR CLAMPS			500 SERIES	