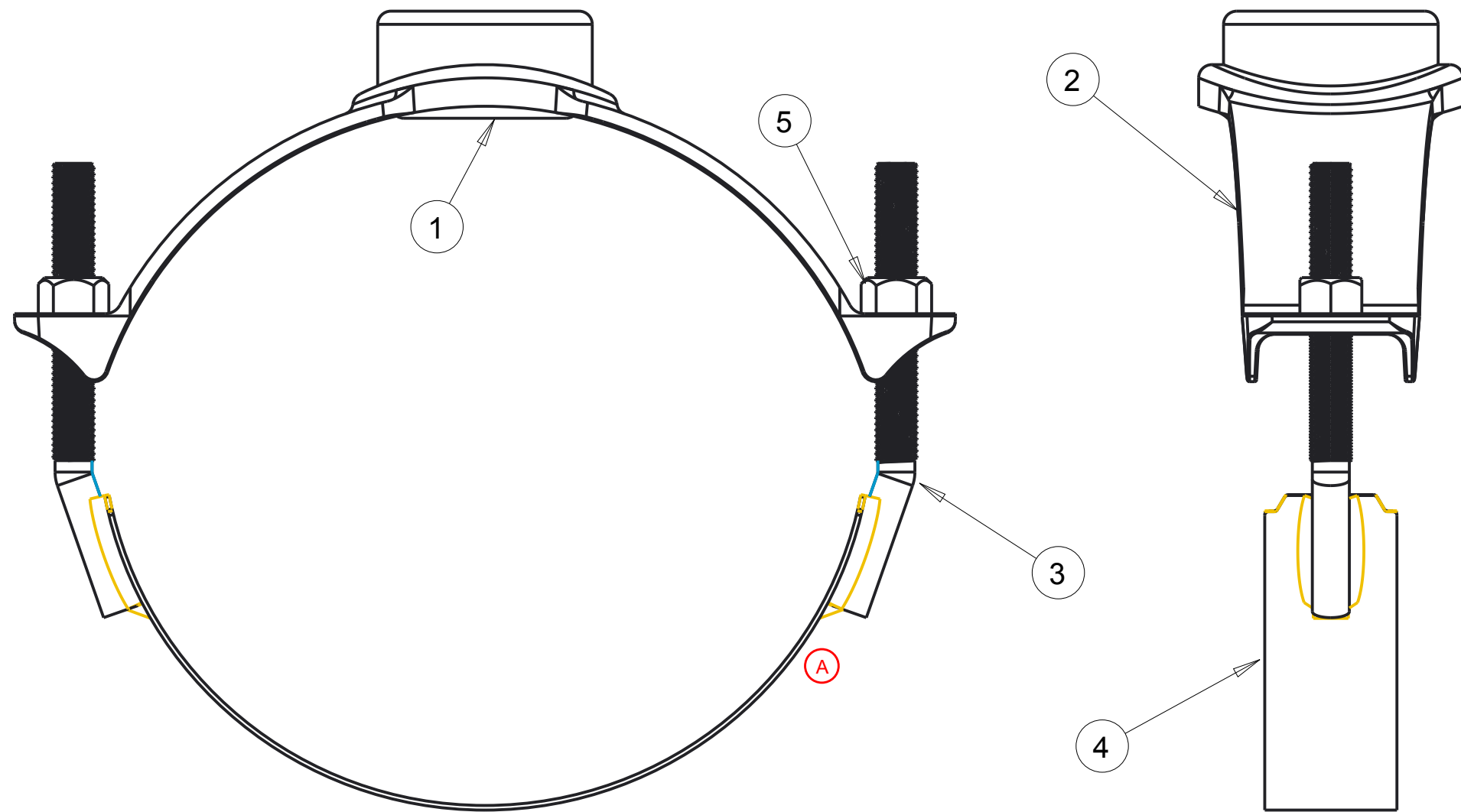
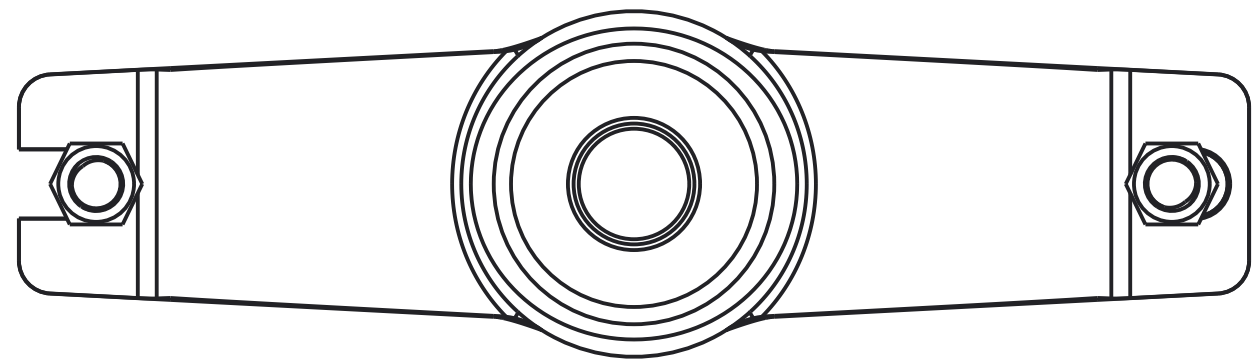


PIPE O.D. RANGE		KIND AND SIZE OF PIPE	SINGLE BRONZE STRAPS WITH AWWA TAPER THREAD (C.C.)				SINGLE STAINLESS STEEL STRAPS WITH AWWA TAPER THREAD (C.C.)							
INCH	MM		A-C	CAST IRON, DUCTILE IRON, PVC C900	BASE CATALOG NUMBER	SIZE OF TAPPING (ADD TO "BASE" TO COMPLETE CATALOG NUMBER)				BASE CATALOG NUMBER	SIZE OF TAPPING (ADD TO "BASE" TO COMPLETE CATALOG NUMBER)			
						1/2"	5/8"	3/4"	1"		1/2"	5/8"	3/4"	1"
4.74-5.32	121.0-135.0	**	4"	BR 1 B 0474 CC	050	062	075	100	BR 1 S 0474 CC	050	062	075	100	
6.84-7.45	174.0-189.0		6"	BR 1 B 0684 CC	-	062	075	100	BR 1 S 0684 CC	-	062	075	100	
8.99-9.67	229.0-245.0		8"	BR 1 B 0899 CC	050	062	075	100	BR 1 S 0899 CC	050	062	075	100	
11.04-12.12	281.0-307.0		10"	BR 1 B 1104 CC	050	062	075	100	BR 1 S 1104 CC	050	062	075	100	
13.14-14.58	334.0-370.0		12"	BR 1 B 1314 CC	-	062	075	100	BR 1 S 1314 CC	-	062	075	100	

PIPE O.D. RANGE		KIND AND SIZE OF PIPE	SINGLE BRONZE STRAPS WITH AWWA I.P. THREAD (F.I.P.T.)			SINGLE STAINLESS STEEL STRAPS W/ AWWA I.P. THREAD (F.I.P.T.)						
INCH	MM		A-C	CAST IRON, DUCTILE IRON, PVC C900	BASE CATALOG NUMBER	SIZE OF TAPPING (ADD TO "BASE" TO COMPLETE CATALOG NUMBER)			BASE CATALOG NUMBER	SIZE OF TAPPING (ADD TO "BASE" TO COMPLETE CATALOG NUMBER)		
						1/2"	3/4"	1"		1/2"	3/4"	1"
4.74-5.32	121.0-135.0	**	4"	BR 1 B 0474 IP	050	075	100	BR 1 S 0474 IP	050	075	100	
6.84-7.45	174.0-189.0		6"	BR 1 B 0684 IP	-	075	100	BR 1 S 0684 IP	-	075	100	
8.99-9.67	229.0-245.0		8"	BR 1 B 0899 IP	050	075	100	BR 1 S 0899 IP	050	075	100	
11.04-12.12	281.0-307.0		10"	BR 1 B 1104 IP	-	075	100	BR 1 S 1104 IP	-	075	100	
13.14-14.58	334.0-370.0		12"	BR 1 B 1314 IP	-	075	100	BR 1 S 1314 IP	-	075	100	



PARTS LIST					
ITEM	DESCRIPTION	BR1S MATERIAL	BR1B MATERIAL	ASTM	TYPE
1	O - RING	RUBBER	RUBBER	D2000	***
2	SADDLE	BRONZE	BRONZE	B62	C83600
3	STUD	STAINLESS STEEL	SILICON BRONZE		304
4	STRAP	STAINLESS STEEL	SILICON BRONZE		
5	NUT	STAINLESS STEEL	SILICON BRONZE	A194	304

*** MUELLER RUBBER CODE R91

** THE OUTSIDE DIAMETER OF A-C PIPE VARIES FROM MANUFACTURER TO MANUFACTURER. TO MAKE CERTAIN YOU SELECT THE PROPER CLAMP:

- 1) DETERMINE THE O.D. OF THE PIPE AT THE POINT OF SADDLE INSTALLATION;
- 2) FROM THE PIPE O.D. RANGE COLUMN OF THE ABOVE CHART, CHOOSE A SADDLE THAT HAS A PIPE O.D. RANGE THAT INCLUDES THE DETERMINED PIPE DIAMETER.

MUELLER CONFIDENTIAL

TITLE TO AND OWNERSHIP OF THIS ENGINEERING DATA REMAINS IN MUELLER CO. NO USE IS TO BE MADE OF THIS DATA EXCEPT AS SPECIFICALLY AUTHORIZED BY MUELLER CO. ASSENT ON THE PART OF RECIPIENTS TO THESE CONDITIONS IS PRESUMED.

DR. BY	MCB 09/12/08	UNLESS OTHERWISE NOTED	THIRD ANGLE PROJECTION	C.B. NO.
CHKR	CGH 09/12/08	BREAK CAST CORNER(S)---		
ENGR	JWB 09/12/08	BREAK MACH CORNER(S)---	PURCH.	PATT. NO.
MGR		TOLERANCES	FINISH	
MFG		UNLESS OTHERWISE NOTED	REF. NO.	SCALE
TOOL		LINEAR		NONE
FDRY		±	ANGULAR	STK. NO.
MATL:		DESCR.		NUMBER
		Mueller Co.		BR1S & BR1B SERIES BRONZE SERVICE SADDLES - SINGLE STRAP
				6813

ECO 1484051
 ECO 1700009
 CHANGED DRAWING TO SHOW THE NEW SS STRAP DESIGN AND REMOVED WASHER FROM BOM
 TBE 2/24/2016