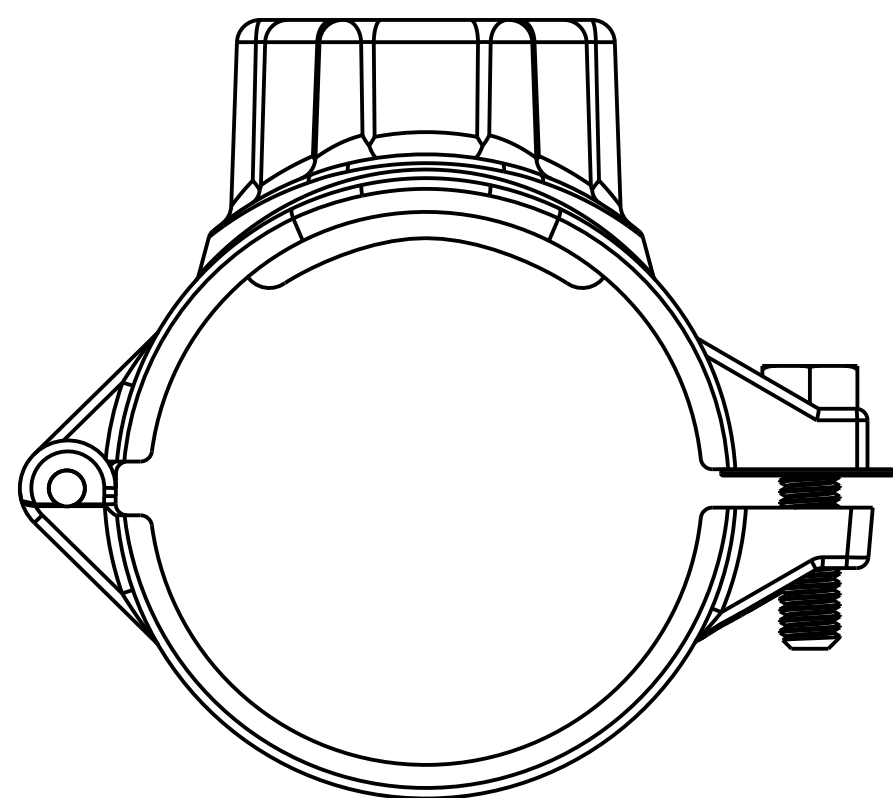
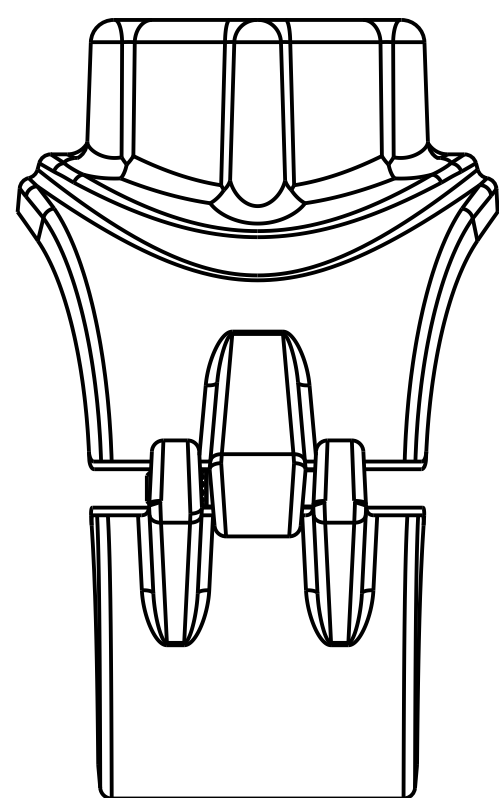
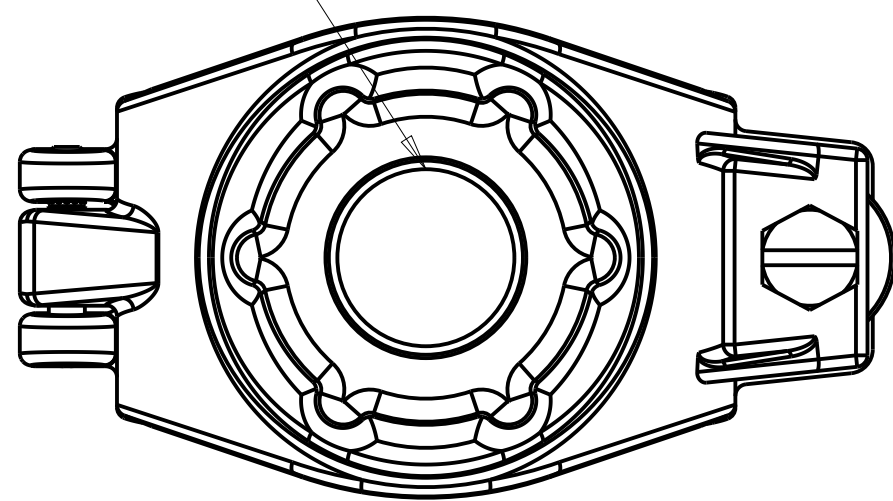


NOMINAL MAIN SIZE	CAST IRON O.D. PVC PIPE				IPS PVC PIPE			
	C.C. TAPPING SIZE CATALOGUE SERIES #		F.I.P.T. TAPPING SIZE CATALOGUE SERIES #		C.C. TAPPING SIZE CATALOGUE SERIES #		F.I.P.T. TAPPING SIZE CATALOGUE SERIES #	
	.75"	1"	.75"	1"	.75"	1"	.75"	1"
2"	---	---	---	---	S-13420	---	---	S-13470
2.5"	---	---	---	---	S-13422	---	---	S-13472
3"	---	---	---	---	S-13425	---	---	S-13475
4"	S-13440	---	S-13490	---	S-13428	---	---	S-13478
6"	S-13441	---	S-13491	---	S-13431	---	---	S-13481
8"	S-13442	---	S-13492	---	S-13433	---	---	S-13483

TAPPING SIZE (SEE TABLE)



(B)

CAST BRONZE
ASTM B62 ALLOY C83600

SILICON BRONZE

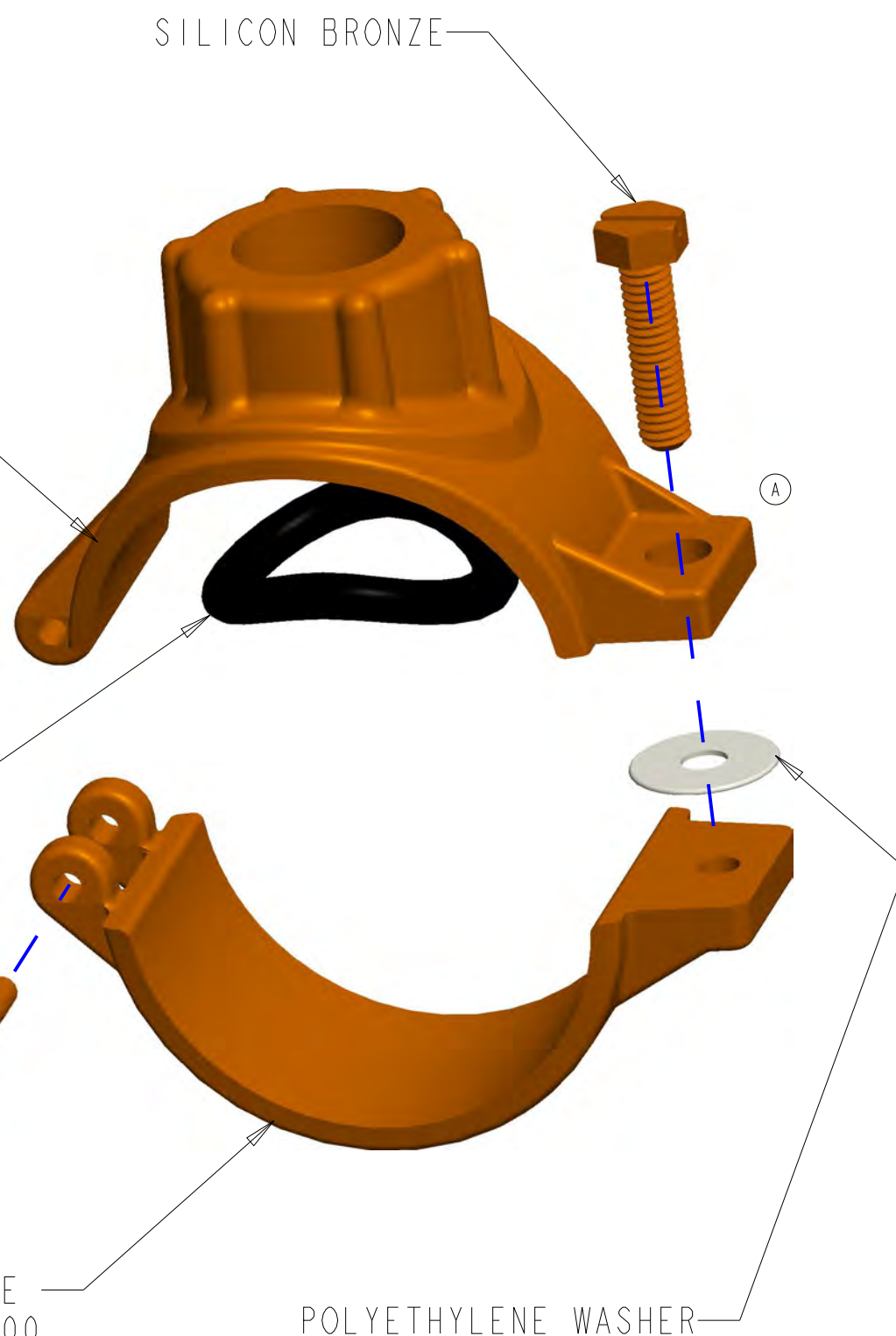
NITRILE O-RING

SILICON BRONZE

(B)

CAST BRONZE
ASTM B62 ALLOY C83600

POLYETHYLENE WASHER



DR. BY	DLG	08/14/14	UNLESS OTHERWISE NOTED	THIRD ANGLE PROJECTION	C.B. NO.
CHKR			BREAK CAST CORNER(S)---		
ENGR			BREAK MACH CORNER(S)---	PURCH.	FINISH
MGR			TOLERANCES	REF. NO.	PATT. NO.
MFG			UNLESS OTHERWISE NOTED	SCALE	
TOOL			LINEAR	ANGULAR	
FDRY			±	±	STR. NO.
MAT'L:					
Mueller Co.			DESCR. S-13000 SERVICE SADDLES		NUMBER SBM-S-13000

ADDED TABLE AND MATERIAL INFORMATION
DLG (A) 03/23/15

(B)

ADDED CAST BRONZE MATERIAL INFORMATION
TBE 11/3/17