

HYMAX[®]

a **MUELLER** brand

HYMAX CLAMP[®] (1.5" - 26") Product Specifications

FEATURES

- Easy to install - starting with only 2 bolts
- Stainless steel, lightweight monoblock design
- Wide-range, replaces up to 3 standard products
- Strong and anti-corrosion resistant
- Suitable for all pipe types
- Durable EPDM gasket
- For repair-use only

SPECIFICATIONS STANDARDS

- All products meet or exceed standards AWWA C230, NSF 61 and NSF 372.

SIZE

Available in nominal diameter from 1.5" - 26":

- 6" length: 1.5" - 12" ND.
- 9" length: 1.5" - 12" ND.
- 12" length: 1.5" - 26" ND.
- 15" length: 4" - 26" ND.
- 24" length: 4" - 26" ND.

MATERIALS BODY

- AISI 304 Stainless Steel ASTM A240 / ASTM A480.



NOTE: Pictures and drawings reflect HYMAX Clamp sizes 1.5" - 12". Sizes 14" - 26" have two closing mechanisms.

PRESSURE-ASSISTED GASKET

- EPDM compounded for water and sewerage in accordance with ASTM D2000, meets international standards for contact with drinking water.

GASKET BRIDGE

- AISI 304 Stainless Steel. ASTM A240.

COMPRESSION BEAM

- AISI 304/304L casting (ASTM A351 CF8).

ADJUSTING PIN

- AISI 304/304L casting (ASTM A351 CF8).

LUGS

- Polycarbonate.

BOLTS, NUTS AND WASHERS

- AISI 304 stainless steel. Rolled thread and zinc-based anti galling coating. ASTM F593, ASTM F594, ASTM A240 respectively.



JOIN



REPAIR



RESTRAIN



TAP

MUELLER

PRODUCT PERFORMANCE (*)

WORKING TEMPERATURE

- 20° F up to +180° F

WORKING PRESSURE

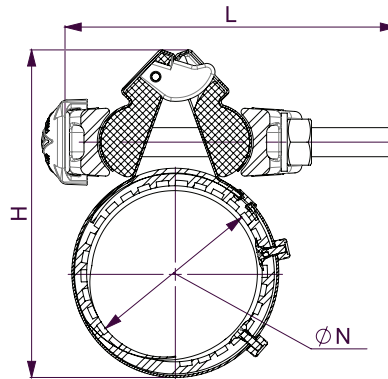
- Option 1: 150 psi
- Option 2: 200 psi

TEST PRESSURE

- Option 1: 225 psi
- Option 2: 300 psi

*Contact Mueller for details.

PRODUCT TABLES



HYMAX CLAMP LENGTH 6" (1.5" - 12")

HYMAX Part Number	ND (mm)	Overall Range (inch)	Bolts Qty. - Size (inch)	Bolts Length L (inch)	H (inch)	Option 1			Option 2			Approx. Weight (lbs)
						Working Pressure (psi)	Test Pressure (psi)	Torque (ft-lb)	Working Pressure (psi)	Test Pressure (psi)	Torque (ft-lb)	
267-56-0047-10	1.5	1.86 - 2.16	2 - M12	5.31	4.56	150	225	30	200	300	40	3.63
267-56-0059-10	2	2.35 - 2.65	2 - M12	5.31	5.31	150	225	30	200	300	40	4.05
267-56-0072-10	2.5	2.85 - 3.15	2 - M12	5.31	5.78	150	225	30	200	300	40	4.16
271-56-0087-10W	3	3.42 - 4.25	2 - M14	7	7	150	225	40	200	300	55	6.71
271-56-0113-10W	4	4.47 - 5.27	2 - M14	7	8	150	225	50	200	300	65	7.018
271-56-0122-10W		4.80 - 5.60	2 - M14	7	8.5	150	225	50	200	300	65	7.172
271-56-0139-10W	6	5.50 - 6.30	2 - M14	7	9.2	150	225	60	200	300	80	7.414
271-56-0167-10W		6.60 - 7.40	2 - M14	7	10.3	150	225	60	200	300	80	7.81
271-56-0174-10W		6.84 - 7.64	2 - M14	7	10.6	150	225	60	200	300	80	7.942
271-56-0198-10W	8	7.80 - 8.60	2 - M14	7	11.5	150	225	70	200	300	90	8.756
271-56-0218-10W		8.60 - 9.40	2 - M14	7	12.4	150	225	70	200	300	90	9.086
271-56-0228-10W		9.00 - 9.80	2 - M14	7	12.8	150	225	70	200	300	90	9.306
271-56-0272-10W	10	10.73 - 11.53	2 - M14	8.27	14.6	150	225	100	200	300	130	10.89
271-56-0288-10W		11.35 - 12.15	2 - M14	8.27	15.2	150	225	100	200	300	130	11.396
271-56-0323-10W	12	12.75 - 13.55	2 - M16	8.27	16.7	150	225	100	200	300	130	14.146
271-56-0345-10W		13.60 - 14.40	2 - M16	8.27	17.5	150	225	100	200	300	130	14.652

HYMAX CLAMP LENGTH 9" (1.5" - 12")

HYMAX Part Number	ND (mm)	Overall Range (inch)	Bolts Qty. - Size (inch)	Bolts Length L (inch)	H (inch)	Option 1			Option 2			Approx. Weight (lbs)
						Working Pressure (psi)	Test Pressure (psi)	Torque (ft-lb)	Working Pressure (psi)	Test Pressure (psi)	Torque (ft-lb)	
268-56-0047-10	1.5	1.86 - 2.16	2 - M12	5.31	4.56	150	225	45	200	300	60	5.92
268-56-0059-10	2	2.35 - 2.65	2 - M12	5.31	5.31	150	225	45	200	300	60	6.57
268-56-0072-10	2.5	2.85 - 3.15	2 - M12	5.31	5.78	150	225	45	200	300	60	6.64
272-56-0087-10W	3	3.42 - 4.25	2 - M14	7	7	150	225	70	200	300	90	10.74
272-56-0113-10W	4	4.47 - 5.27	2 - M14	7	8	150	225	75	200	300	100	11.26
272-56-0122-10W		4.80 - 5.60	2 - M14	7	8.5	150	225	75	200	300	100	11.55
272-56-0139-10W	6	5.50 - 6.30	2 - M14	7	9.2	150	225	80	200	300	105	11.92
272-56-0167-10W		6.60 - 7.40	2 - M14	7	10.3	150	225	80	200	300	105	12.52
272-56-0174-10W		6.84 - 7.64	2 - M14	7	10.6	150	225	80	200	300	105	12.72
272-56-0198-10W	8	7.80 - 8.60	2 - M14	7	11.5	150	225	95	200	300	125	13.97
272-56-0218-10W		8.60 - 9.40	2 - M14	7	12.4	150	225	95	200	300	125	14.5
272-56-0228-10W		9.00 - 9.80	2 - M14	7	12.8	150	225	95	200	300	125	14.76
272-56-0272-10W	10	10.73 - 11.53	2 - M14	8.27	14.6	150	225	135	200	300	175	17.23
272-56-0288-10W		11.35 - 12.15	2 - M14	8.27	15.2	150	225	135	200	300	175	17.71
272-56-0323-10W	12	12.75 - 13.55	2 - M16	9.45	16.7	150	225	150	200	300	195	21.82
272-56-0345-10W		13.60 - 14.40	2 - M16	9.45	17.5	150	225	150	200	300	195	22.62

HYMAX CLAMP LENGTH 12" (1.5" - 12")

HYMAX Part Number	ND (mm)	Overall Range (inch)	Bolts Qty. - Size (inch)	Bolts Length L (inch)	H (inch)	Option 1			Option 2			Approx. Weight (lbs)
						Working Pressure (psi)	Test Pressure (psi)	Torque (ft-lb)	Working Pressure (psi)	Test Pressure (psi)	Torque (ft-lb)	
269-56-0047-10	1.5	1.86 - 2.16	2 - M12	5.31	4.56	150	225	45	200	300	60	7.94
269-56-0059-10	2	2.35 - 2.65	2 - M12	5.31	5.31	150	225	45	200	300	60	8.75
269-56-0072-10	2.5	2.85 - 3.15	2 - M12	5.31	5.78	150	225	45	200	300	60	8.99
273-56-0087-10W	3	3.42 - 4.25	2 - M14	8.27	7	150	225	70	200	300	90	10.82
273-56-0113-10W	4	4.47 - 5.27	2 - M14	8.27	8	150	225	75	200	300	100	11.09
273-56-0122-10W		4.80 - 5.60	2 - M14	8.27	8.5	150	225	75	200	300	100	11.35
273-56-0139-10W	6	5.50 - 6.30	2 - M14	8.27	9.2	150	225	80	200	300	105	11.79
273-56-0167-10W		6.60 - 7.40	2 - M14	8.27	10.3	150	225	80	200	300	105	12.72
273-56-0174-10W		6.84 - 7.64	2 - M14	8.27	10.6	150	225	80	200	300	105	13.16
273-56-0198-10W	8	7.80 - 8.60	2 - M14	8.27	11.5	150	225	95	200	300	125	14.59
273-56-0218-10W		8.60 - 9.40	2 - M14	8.27	12.4	150	225	95	200	300	125	15.29
273-56-0228-10W		9.00 - 9.80	2 - M14	8.27	12.8	150	225	95	200	300	125	15.69
273-56-0272-10W	10	10.73 - 11.53	2 - M14	8.27	14.6	150	225	135	200	300	175	18.96
273-56-0288-10W		11.35 - 12.15	2 - M14	8.27	15.2	150	225	135	200	300	175	19.62
273-56-0323-10W	12	12.75 - 13.55	2 - M16	9.45	16.7	150	225	150	200	300	195	25.01
273-56-0345-10W		13.60 - 14.40	2 - M16	9.45	17.5	150	225	150	200	300	195	26.05

HYMAX CLAMP LENGTH 12" (12" - 26")

HYMAX Part Number	ND (mm)	Overall Range (inch)	Bolts Qty. - Size (inch)	Torque (ft-lb)	Working Pressure (psi)
223-56-0346-10	12/14	13.64 - 15.24	8 - M16	105	150
223-56-0361-10	14	14.20 - 15.80	8 - M16	105	150
223-56-0398-10	14	15.68 - 17.28	8 - M16	105	150
223-56-0415-10	16	16.33 - 17.93	8 - M16	105	150
223-56-0450-10	16/18	17.72 - 19.32	8 - M16	105	150
223-56-0469-10	16/18	18.48 - 20.08	8 - M16	105	150
223-56-0505-10	18	19.88 - 21.48	8 - M16	105	150
223-56-0521-10	18/20	20.50 - 22.10	8 - M16	105	150
223-56-0530-10	18/20	20.87 - 22.47	8 - M16	105	150
223-56-0559-10	20	22.00 - 23.60	8 - M16	105	150
223-56-0575-10	20	22.65 - 24.25	8 - M16	105	150
223-56-0592-10	20/24	23.30 - 24.90	8 - M16	105	150
223-56-0610-10	20/24	24.00 - 25.60	8 - M16	105	150
223-56-0627-10	24	24.68 - 26.28	8 - M16	105	150
223-56-0649-10	24	25.54 - 27.14	8 - M16	105	150
223-56-0663-10	24/26	26.10 - 27.70	8 - M16	105	150
223-56-0684-10	24/26	26.93 - 28.53	8 - M16	105	150
223-56-0706-10	24/26	27.80 - 29.40	8 - M16	105	150

HYMAX CLAMP LENGTH 15" (4" - 12")

HYMAX Part Number	ND (mm)	Overall Range (inch)	Bolts Qty. - Size (inch)	Bolts Length L (inch)	H (inch)	Option 1			Option 2			Approx. Weight (lbs)
						Working Pressure (psi)	Test Pressure (psi)	Torque (ft-lb)	Working Pressure (psi)	Test Pressure (psi)	Torque (ft-lb)	
274-56-0113-10W	4	4.47 - 5.27	3 - M14	8.27	8	150	225	75	200	300	100	18.83
274-56-0122-10W		4.80 - 5.60	3 - M14	8.27	8.5	150	225	75	200	300	100	19.16
274-56-0139-10W	6	5.50 - 6.30	3 - M14	8.27	9.2	150	225	80	200	300	105	19.78
274-56-0167-10W		6.60 - 7.40	3 - M14	8.27	10.3	150	225	80	200	300	105	20.85
274-56-0174-10W		6.84 - 7.64	3 - M14	8.27	10.6	150	225	80	200	300	105	21.14
274-56-0198-10W	8	7.80 - 8.60	3 - M14	8.27	11.5	150	225	95	200	300	125	23.21
274-56-0218-10W		8.60 - 9.40	3 - M14	8.27	12.4	150	225	95	200	300	125	24.07
274-56-0228-10W		9.00 - 9.80	3 - M14	8.27	12.8	150	225	95	200	300	125	24.6
274-56-0272-10W	10	10.73 - 11.53	3 - M14	8.27	14.6	150	225	135	200	300	175	28.66
274-56-0288-10W		11.35 - 12.15	3 - M14	8.27	15.2	150	225	135	200	300	175	29.5
274-56-0323-10W	12	12.75 - 13.55	3 - M16	9.45	16.7	150	225	150	200	300	195	36.38
274-56-0345-10W		13.60 - 14.40	3 - M16	9.45	17.5	150	225	150	200	300	195	37.66

HYMAX CLAMP LENGTH 15" (12" - 26")

HYMAX Part Number	ND (mm)	Overall Range (inch)	Bolts Qty. - Size (inch)	Torque (ft-lb)	Working Pressure (psi)
224-56-0346-10	12/14	13.64 - 15.24	10 - M16	105	150
224-56-0361-10	14	14.20 - 15.80	10 - M16	105	150
224-56-0398-10	14	15.68 - 17.28	10 - M16	105	150
224-56-0415-10	16	16.33 - 17.93	10 - M16	105	150
224-56-0450-10	16/18	17.72 - 19.32	10 - M16	105	150
224-56-0469-10	16/18	18.48 - 20.08	10 - M16	105	150
224-56-0505-10	18	19.88 - 21.48	10 - M16	105	150
224-56-0521-10	18/20	20.50 - 22.10	10 - M16	105	150
224-56-0530-10	18/20	20.87 - 22.47	10 - M16	105	150
224-56-0559-10	20	22.00 - 23.60	10 - M16	105	150
224-56-0575-10	20	22.65 - 24.25	10 - M16	105	150
224-56-0592-10	20/24	23.30 - 24.90	10 - M16	105	150
224-56-0610-10	20/24	24.00 - 25.60	10 - M16	105	150
224-56-0627-10	24	24.68 - 26.28	10 - M16	105	150
224-56-0649-10	24	25.54 - 27.14	10 - M16	105	150
224-56-0663-10	24/26	26.10 - 27.70	10 - M16	105	150
224-56-0684-10	24/26	26.93 - 28.53	10 - M16	105	150
224-56-0706-10	24/26	27.80 - 29.40	10 - M16	105	150

HYMAX CLAMP LENGTH 24" (4" - 12")

HYMAX Part Number	ND (mm)	Overall Range (inch)	Bolts Qty. - Size (inch)	Bolts Length L (inch)	H (inch)	Option 1			Option 2			Approx. Weight (lbs)
						Working Pressure (psi)	Test Pressure (psi)	Torque (ft-lb)	Working Pressure (psi)	Test Pressure (psi)	Torque (ft-lb)	
277-56-0113-10W	4	4.47 - 5.27	4 - M14	8.27	8	150	225	75	200	300	100	27.71
277-56-0122-10W		4.80 - 5.60	4 - M14	8.27	8.5	150	225	75	200	300	100	28.26
277-56-0139-10W	6	5.50 - 6.30	4 - M14	8.27	9.2	150	225	80	200	300	105	29.25
277-56-0167-10W		6.60 - 7.40	4 - M14	8.27	10.3	150	225	80	200	300	105	30.97
277-56-0174-10W		6.84 - 7.64	4 - M14	8.27	10.6	150	225	80	200	300	105	31.39
277-56-0198-10W	8	7.80 - 8.60	4 - M14	8.27	11.5	150	225	95	200	300	125	34.67
277-56-0218-10W		8.60 - 9.40	4 - M14	8.27	12.4	150	225	95	200	300	125	36.04
277-56-0228-10W		9.00 - 9.80	4 - M14	8.27	12.8	150	225	95	200	300	125	36.91
277-56-0272-10W	10	10.73 - 11.53	4 - M14	8.27	14.6	150	225	135	200	300	175	44.02
277-56-0288-10W		11.35 - 12.15	4 - M14	8.27	15.2	150	225	135	200	300	175	45.32
277-56-0323-10W	12	12.75 - 13.55	4 - M16	9.45	16.7	150	225	150	200	300	195	54.76
277-56-0345-10W		13.60 - 14.40	4 - M16	9.45	17.5	150	225	150	200	300	195	56.79

HYMAX CLAMP LENGTH 24" (12" - 26")

HYMAX Part Number	ND (mm)	Overall Range (inch)	Bolts Qty. - Size (inch)	Torque (ft-lb)	Working Pressure (psi)	Test Pressure (psi)
227-56-0346-10	12/14	13.64 - 15.24	16 - M16	105	150	
227-56-0361-10	14	14.20 - 15.80	16 - M16	105	150	
227-56-0398-10	14	15.68 - 17.28	16 - M16	105	150	
227-56-0415-10	16	16.33 - 17.93	16 - M16	105	150	
227-56-0450-10	16/18	17.72 - 19.32	16 - M16	105	150	
227-56-0469-10	16/18	18.48 - 20.08	16 - M16	105	150	
227-56-0505-10	18	19.88 - 21.48	16 - M16	105	150	
227-56-0521-10	18/20	20.50 - 22.10	16 - M16	105	150	
227-56-0530-10	18/20	20.87 - 22.47	16 - M16	105	150	
227-56-0559-10	20	22.00 - 23.60	16 - M16	105	150	
227-56-0575-10	20	22.65 - 24.25	16 - M16	105	150	
227-56-0592-10	20/24	23.30 - 24.90	16 - M16	105	150	
227-56-0610-10	20/24	24.00 - 25.60	16 - M16	105	150	
227-56-0627-10	24	24.68 - 26.28	16 - M16	105	100	150
227-56-0649-10	24	25.54 - 27.14	16 - M16	105	150	
227-56-0663-10	24/26	26.10 - 27.70	16 - M16	105	150	
227-56-0684-10	24/26	26.93 - 28.53	16 - M16	105	150	
227-56-0706-10	24/26	27.80 - 29.40	16 - M16	105	150	

To learn more, visit HymaxUSA.com.

Mueller refers to one or more of Mueller Water Products, Inc., a Delaware corporation ("MWP"), and its subsidiaries. MWP and each of its subsidiaries are legally separate and independent entities when providing products and services. MWP does not provide products or services to third parties. MWP and each of its subsidiaries are liable only for their own acts and omissions and not those of each other. MWP brands include Mueller®, Echologics®, Hydro Gate®, Hydro-Guard®, HYMAX®, Krausz®, Jones®, Mi.Net®, Milliken®, Pratt®, Pratt Industrial®, Sentryx™, Singer®, and U.S. Pipe Valve & Hydrant. Please see muellerwp.com/brands to learn more.

© 2023 Mueller Co., LLC. All Rights Reserved. The trademarks, logos and service marks displayed in this document are the property of Mueller Co., LLC., its affiliates or other third parties. Products above marked with a section symbol (§) are subject to patents or patent applications. For details, visit www.mwppat.com. These products are intended for use in potable water applications. Please contact your HYMAX Sales or Customer Service Representative concerning any other application(s).

