

HYMAX[®]

a **MUELLER** brand

HYMAX[®] 2 CATHODIC* (1.5" - 12") Product Specifications

FEATURES

- Advanced wide-range coupling with a flip gasket.
- Eliminates gasket removal mistakes and maximizes installers' efficiency.
- HYMAX coupling with cathodic protection.
- Using game-changing HYMAX technology, proven in over 1M installations in the US.
- Suitable for many types of metal pipe. Check with your local salesperson for pipe material specifications.
- Patented hydraulically-assisted gasket with 2-stage sealing.
- Lightweight construction enables fast and easy installation.
- Allows 4° dynamic deflection on each end, potentially reducing future pipe damage.
- Can connect pipes of two different materials.
- Lifting T-handle only on sizes 3"-12".

SPECIFICATIONS STANDARDS

- HYMAX CATHODIC meets or exceeds requirements of standards: AWWA C-219, NSF 61, NSF 372.

SIZE

- Available in nominal diameter from 1.5" - 12" standard.

MATERIALS END RINGS

- ASTM A283/A283M Grade C steel.

CENTER RING

- ASTM A53 Grade A steel.

GASKET

- EPDM Compounded for water and sewage in accordance with ASTM D2000, meets international standards for contact with drinking water.

BRIDGE

- AISI 304 stainless steel, ASTM A240.

SPHERICAL SPACERS

- AISI 304 stainless steel, ASTM A351 CF8.

COATING

- 100% fusion bonded epoxy for enhanced corrosion protection.
- Average thickness 14 mm.

BOLTS, NUTS & WASHERS

- AISI 304 stainless steel. Rolled thread and anti-galling coating. ASTM F593, ASTM F594 and ASTM A240 respectively.

PROTECTION PARTS CATHODIC

- AISI 304 stainless steel.



* Registered Patent



JOIN



REPAIR



RESTRAIN



TAP

MUELLER

PRODUCT PERFORMANCE (*)

WORKING TEMPERATURE

- 20°F up to +125°F

DYNAMIC DEFLECTION

- Up to 4° per side

MIN. PIPE INSERTION

- ND 1.5" - ND 12": 2.25"

MAXIMUM OFFSET FOR MISALIGNED PIPES

- ND 1.5" - ND 2": 0.39"
- ND 4" - ND 12": 0.51"

MAXIMUM OUT OF ROUNDED

- ND 1.5" - ND 2": 0.20"
- ND 4" - ND 12": 0.31"

WORKING PRESSURE

- 260 psi

VACUUM TEST

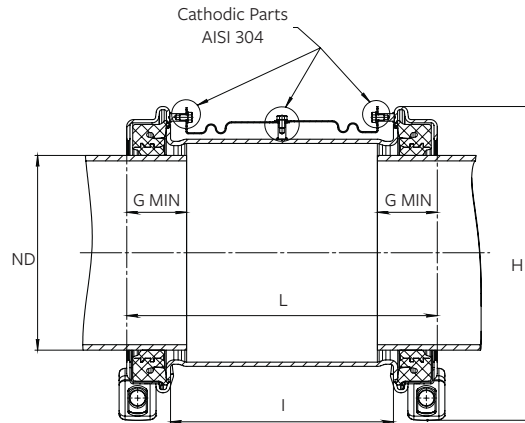
- 12 psi

* See submittal drawings for details.



PRODUCT TABLES

HYMAX 2 CATHODIC SIZES 1.5" - 12"



HYMAX 2 CATHODIC SIZES 1.5" - 12"

HYMAX Part Number	ND (inch)	Overall Range (inch)	Range In Closed Gasket Position (inch)	Range In Open Gasket Position (inch)	D (inch)	H (inch)	I (inch)	L (inch)	Bolt Qty. and Size	Approx. Weight (lbs)
888-54-0041-16	1.5"	1.61-2.13	1.61-1.97	1.97-2.60	Ø3.9	5	3.9	6.1	2 - M12	5
888-54-0054-16	2	2.10 - 3.03	2.10 - 2.60	2.56 - 3.03	Ø5.2	5.7	3.9	6.7	2 - M12	7
888-54-0108-16	4	4.25 - 5.63	4.25 - 5.00	4.92 - 5.63	Ø8.7	9.3	5.9	8.8	2 - M14	15
888-54-0130-16	5	5.12 - 6.38	5.12 - 5.75	5.71 - 6.38	Ø9.5	10.0	8.0	10.8	2 - M14	19
888-54-0163-16	6	6.42 - 7.68	6.42 - 7.05	7.01 - 7.68	Ø10.8	11.3	8.0	10.8	2 - M14	23
888-54-0190-16	7	7.48 - 8.74	7.48 - 8.11	8.07 - 8.74	Ø11.7	12.2	8.0	10.8	2 - M14	24
888-54-0217-16	8	8.54 - 9.84	8.54 - 9.17	9.13 - 9.84	Ø12.9	13.1	8.0	10.8	2 - M14	28
888-54-0272-16	10	10.70 - 12.00	10.70 - 11.37	11.33 - 12.00	Ø15.0	15.6	8.0	10.8	2 - M14	32
888-54-0278-16	10	10.96 - 12.26	10.96 - 11.63	11.59 - 12.26	Ø15.3	15.8	8.0	10.8	2 - M14	33
888-54-0315-16	12	12.40 - 13.66	12.40 - 13.03	12.99 - 13.66	Ø16.6	17.5	8.0	10.8	2 - M14	39
888-54-0334-16	12	13.15 - 14.41	13.15 - 13.78	13.74 - 14.41	Ø17.3	18.1	8.0	10.8	2 - M14	39

To learn more, visit HymaxUSA.com.

Mueller refers to one or more of Mueller Water Products, Inc., a Delaware corporation ("MWP"), and its subsidiaries. MWP and each of its subsidiaries are legally separate and independent entities when providing products and services. MWP does not provide products or services to third parties. MWP and each of its subsidiaries are liable only for their own acts and omissions and not those of each other. MWP brands include Mueller®, Echologics®, Hydro Gate®, Hydro-Guard®, HYMAX®, Krausz®, Jones®, Mi.Net®, Milliken®, Pratt®, Pratt Industrial®, Sentryx™, Singer®, and U.S. Pipe Valve & Hydrant. Please see muellerwp.com/brands to learn more.

© 2023 Mueller Co., LLC. All Rights Reserved. The trademarks, logos and service marks displayed in this document are the property of Mueller Co., LLC, its affiliates or other third parties. Products above marked with a section symbol (§) are subject to patents or patent applications. For details, visit www.mwppat.com. These products are intended for use in potable water applications. Please contact your HYMAX Sales or Customer Service Representative concerning any other application(s).

