

HYMAX[®]

a **MUELLER** brand

HYMAX[®] 2 WITH THREADED OUTLET (1.5" - 12") Product Specifications

FEATURES

- Advanced wide-range coupling with a patented flip gasket
- Eliminates gasket removal mistakes and maximizes installer work efficiency
- Using the game-changing HYMAX technology, proven in over 1M installations in North America
- Suitable for many pipe types. Check with your local salesperson for pipe material verification
- Patented hydraulically-assisted gasket with 2-stage sealing
- Lightweight construction enables fast and easy installation
- Allows 4° dynamic deflection per side, potentially reducing future pipe damage
- One product can connect pipes of two different materials

SPECIFICATIONS STANDARDS

- HYMAX with threaded outlet meets or exceeds requirements of standards: AWWA C-219, NSF-61, NSF 372.

SIZE

- Available in nominal diameter from 1.5" - 12" standard.

MATERIALS END RINGS

- ASTM A283/A283M Grade C steel.

CENTER RING

- ASTM A53 Grade A steel.

GASKET

- EPDM Compounded for water and sewage in accordance to ASTM D2000, meets international standards for contact with drinking water.



BRIDGE

- AISI 304 Stainless Steel. ASTM A240.

SPHERICAL SPACERS

- AISI 304 Stainless Steel. ASTM A351 CF8.

OUTLET

- Threaded coupling NPT Class 3000, meets ANSI B16.11.

COATING

- 100% fusion bonded epoxy for enhanced corrosion protection.
- Average thickness 14 mm

BOLTS, NUTS & WASHERS

- AISI 304 stainless steel. Rolled thread and anti-galling coating. ASTM F593, ASTM F594 and ASTM A240 respectively.



JOIN



REPAIR



RESTRAIN



TAP

MUELLER

PRODUCT PERFORMANCE (*)

WORKING TEMPERATURE

- -20° F up to +125° F

DYNAMIC DEFLECTION

- Up to 4° per side (not for outlet)

MIN. PIPE INSERTION

- 2.25"

MAXIMUM OFFSET FOR MISALIGNED PIPES

- ND 1.5" - 3": 0.39"
- ND 4" - 12": 0.51"

MAXIMUM OUT OF ROUNDNESS

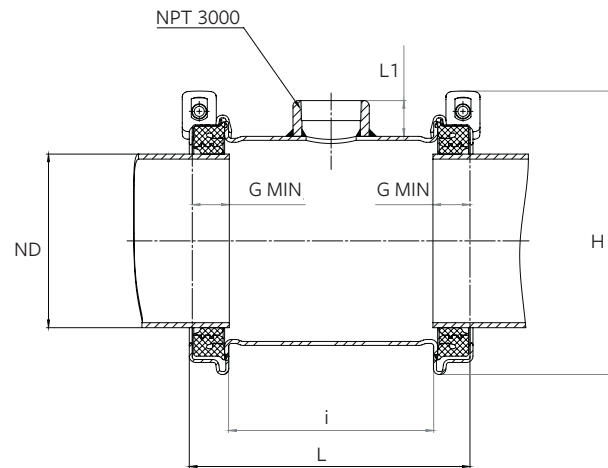
- ND 1.5": 0.08"
- ND 2" - 3": 0.20"
- ND 4" - 12": 0.31"

WORKING PRESSURE

- 260 psi

VACUUM TEST

- 12 psi



* See submittal drawings for details.

PRODUCT TABLES

HYMAX2 WITH THREADED OUTLET NOMINAL SIZES 1.5"-12"

HYMAX Part Number	Nominal Diameter (inch)	Outlet Options (inch)	Overall Range (inch)	Range in Closed Gasket Position (inch)	Range in Open Gasket Position (inch)	Bolt Qty. and Size (mm)	Torque (ft-lbs)	Approx. Weight (lbs)
865-54-01041-16	1.5	1	1.61 - 2.13	1.61 - 1.97	1.96 - 2.13	2 - M12	35	6
865-54-XX054-16*	2	1 - 1.5	2.10 - 3.03	2.10 - 2.60	2.56 - 3.03	2 - M12	50	8 - 9.5
865-54-XX088-16	3	1 - 2	3.46 - 4.33	3.46 - 3.90	3.86 - 4.33	2 - M12	50	11 - 13.2
865-54-XX108-16	4	1 - 2	4.25 - 5.63	4.25 - 5.00	4.92 - 5.63	2 - M14	75	16 - 18.2
865-54-XX163-16	6	1 - 4	6.42 - 7.68	6.42 - 7.05	7.01 - 7.68	2 - M14	75	24 - 35.5
865-54-XX217-16	8	1 - 4	8.54 - 9.84	8.54 - 9.17	9.13 - 9.84	2 - M14	75	29 - 40.5
865-54-XX272-16	10	1 - 4	10.70 - 12.00	10.70 - 11.37	11.33 - 12.00	2 - M14	75	34 - 45.5
865-54-XX278-16	10	1 - 4	10.96 - 12.26	10.96 - 11.63	11.59 - 12.26	2 - M14	75	34 - 45.5
865-54-XX315-16	12	1 - 4	12.40 - 13.66	12.40 - 13.03	12.99 - 13.66	2 - M14	80	40 - 51.5
865-54-XX334-16	12	1 - 4	13.15 - 14.41	13.15 - 13.78	13.74 - 14.41	2 - M14	80	40 - 51.5

FOR EXAMPLE 865-54-XX163-16 MAY BE:

HYMAX Part Number	Nominal Diameter (inch)	Outlet (inch)	Outlet L1 (inch)
865-54-01163-16	6	1	1.18
865-54-15163-16	6	1.5	1.56
865-54-02163-16	6	2	1.69
865-54-03163-16	6	3	2.13
865-54-04163-16	6	4	2.36

To learn more, visit [HymaxUSA.com](https://www.hymaxusa.com).

Mueller refers to one or more of Mueller Water Products, Inc., a Delaware corporation ("MWP"), and its subsidiaries. MWP and each of its subsidiaries are legally separate and independent entities when providing products and services. MWP does not provide products or services to third parties. MWP and each of its subsidiaries are liable only for their own acts and omissions and not those of each other. MWP brands include Mueller®, Echologics®, Hydro Gate®, Hydro-Guard®, HYMAX®, Krausz®, Jones®, Mi.Net®, Milliken®, Pratt®, Pratt Industrial®, Sentryx™, Singer®, and U.S. Pipe Valve & Hydrant. Please see muellerwp.com/brands to learn more.

© 2023 Mueller Co., LLC. All Rights Reserved. The trademarks, logos and service marks displayed in this document are the property of Mueller Co., LLC, its affiliates or other third parties. Products above marked with a section symbol (§) are subject to patents or patent applications. For details, visit www.mwppat.com. These products are intended for use in potable water applications. Please contact your HYMAX Sales or Customer Service Representative concerning any other application(s).

F 14530 PS0054 06/23

